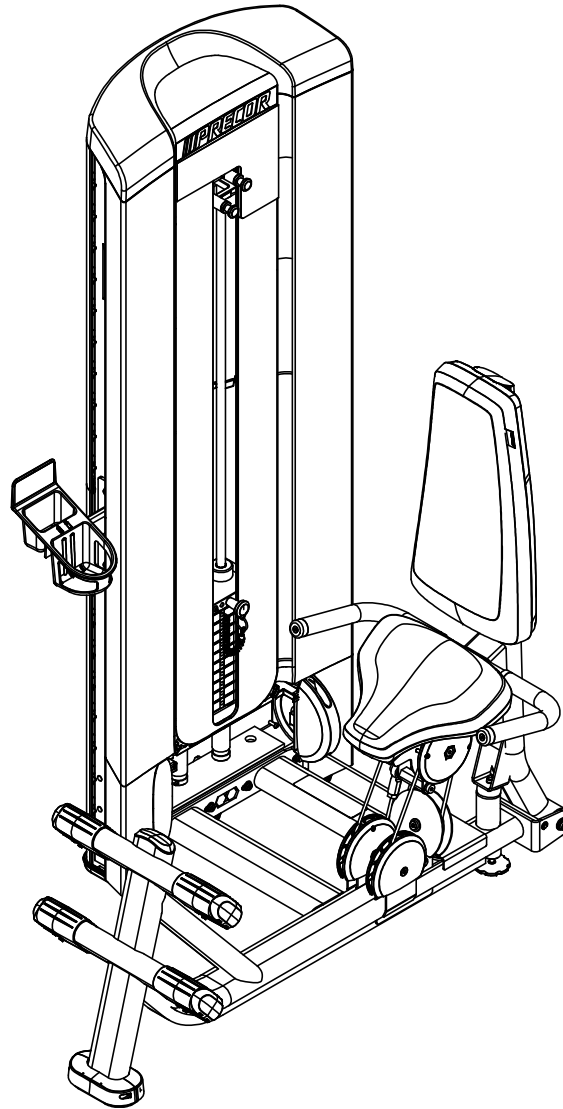


NOTES:

1. THIS LABEL IS FURNISHED AS PART OF A LABEL KIT. ORDER REPLACEMENT LABEL KITS AS FOLLOWS:

ENGLISH - BUBBLE #201
CHINESE - BUBBLE #202
FRENCH - BUBBLE #203
GERMAN - BUBBLE #204
JAPANESE - BUBBLE #205
SPANISH - BUBBLE #206
DUTCH - BUBBLE #207
PORTUGUESE - BUBBLE #208
RUSSIAN - BUBBLE #209
HEBREW - BUBBLE #210
ITALIAN - BUBBLE #211



C623EC - SEATED CALF

P/N : CW35073-101

SUBREV : E02

DRAWN BY : KAW

DATE : 12.4.12

SHEET 1 OF 4

SEE NOTE 1

2X 201-211

75

43

2X 91

2X 92

2X 44

2X 111

2X 41

2X 92

2X 91

28

2X 31

2X 59

109 14X

2X 19

4X 91

4X 72

4X 44

201-211 SEE NOTE 1

19

2X

2X 10

4X 40

29

11

2X 67

54

19 2X

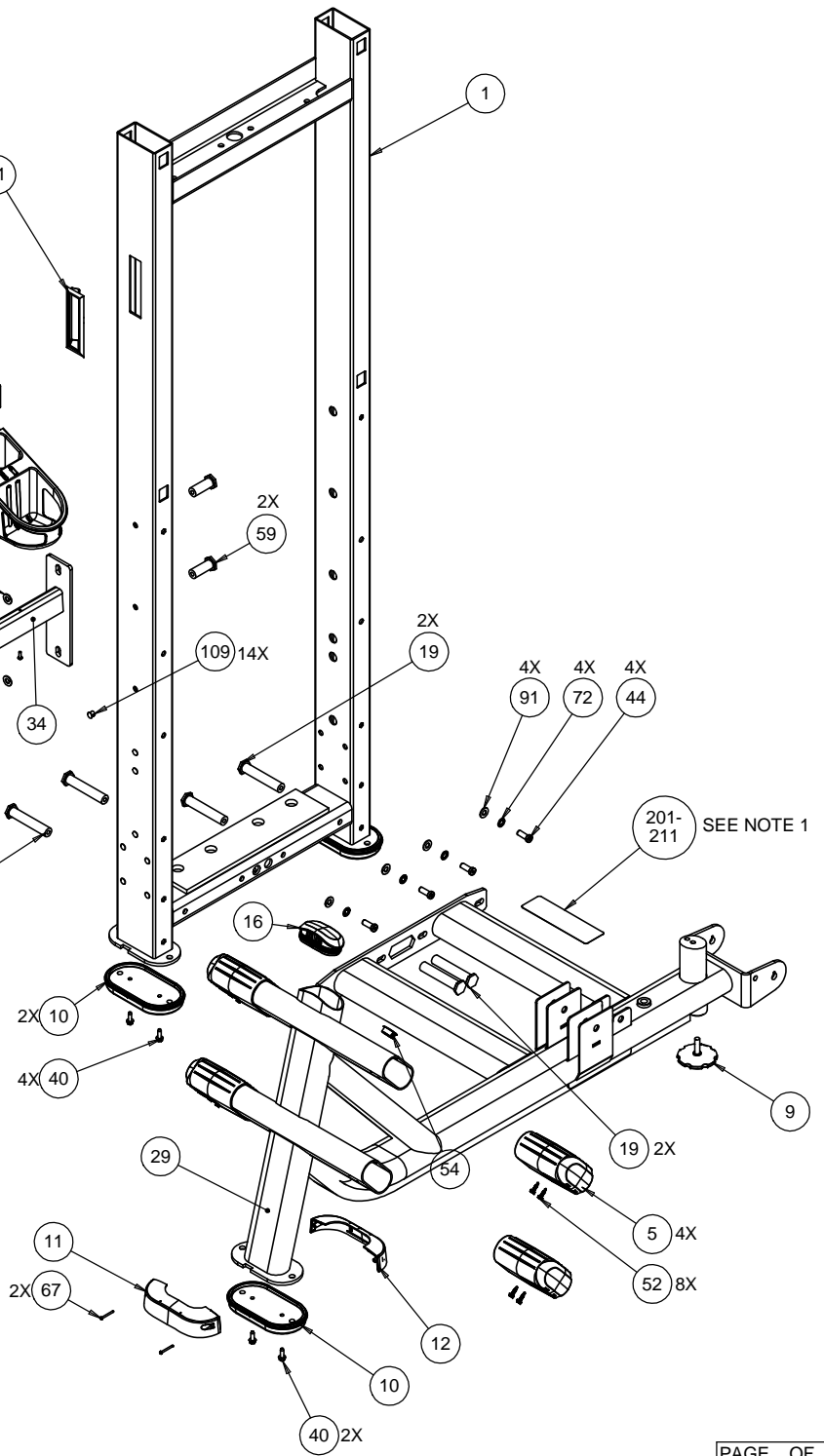
5 4X

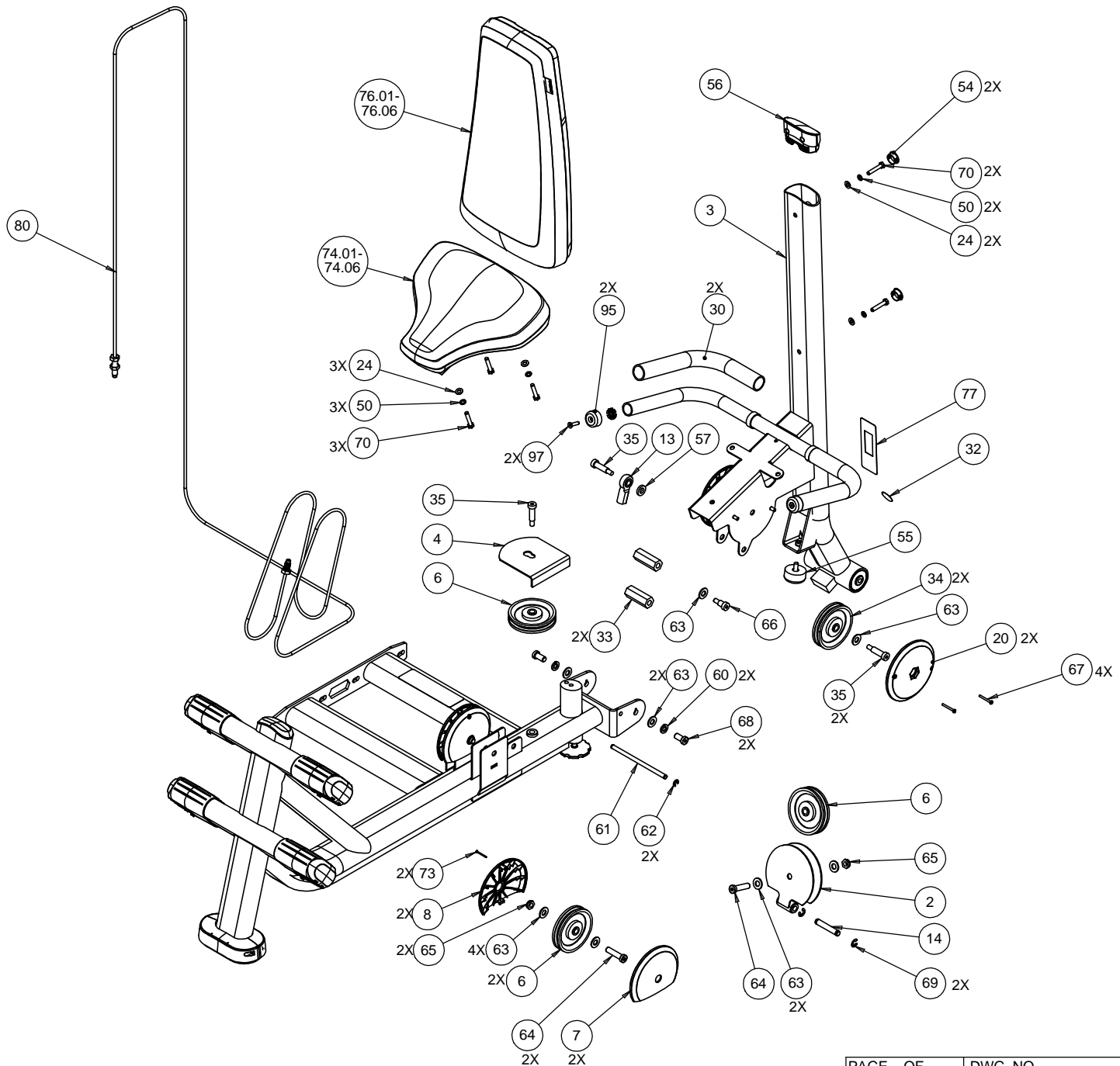
52 8X

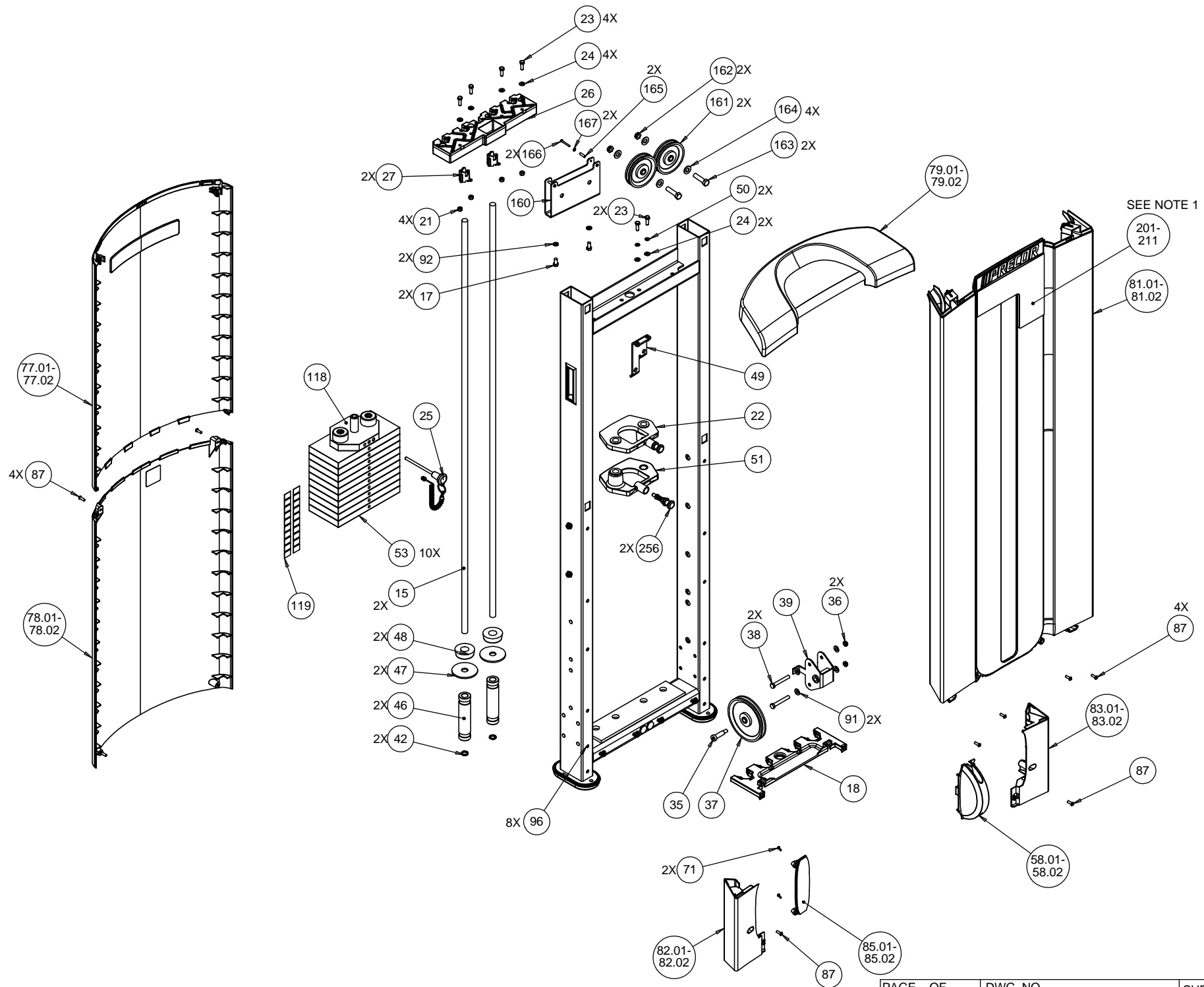
12

10

40 2X







C623EC Seated Calf, C-Line

Part Number	Description	Bubble Number
CW33841-103	WLDMT, WEIGHT TOWER, TALL	1
CW35056-101	ASSY, SWIVEL PULLEY	2
CW50262-101	ASSEMBLY, SEAT, SEATED LEG	3
CW35051-101	FORMED SHEET, 11 GA (.120), PULLEY CO	4
CW34062-101	FOOT ASSIST COVER	5
CWAC1009-101	PULLEY, 4 1/2 DIA X 1/2 ID	6
CW33997-109	4.5" PULLEY COVER, TRUNCATED, FRONT	7
CW33997-112	4.5" PULLEY COVER, TRUNCATED, BACK	8
CW39916-103	FOOT, ADJUSTING, NO LOGO	9
CWAAHN134-006	RETAINING RING, EXTERNAL, 34MM(1.33	9
CW34061-103	FOOT COVER FRONT, 15 DEGREES SHORT	11
CW34061-104	FOOT COVER BACK, 15 DEGREES SHORT	12
CWCLFA1064-741	ROD END, FEMALE, STEEL, ZINC, CAD,	13
CW35052-101	BAR, .50 DIA, PULLEY PIVOT, SEATED	14
CW34007-101	BAR, DIA .75, GUIDE ROD, TALL STACK	15
CW33996-101	DOUBLE D TUBE END CAP	16
CWHCCN038-075	SCREW, HEX, CLR. CLR. ZINC, 3/8-16	17
CW34367-101	LOWER COVER SUPPORT ASSY	18
CW33991-101	WEIGHT TOWER BOLT ON, LONG	19
CW33997-110	4.5" PULLEY COVER, HEX MOUNT, BACK	20
CWKACN031-016	LOCKNUT, HALF, 5/16-18, ZN	21
CW33966-103	ASSEMBLY, CAST DROP DOWN, TOP	22
CWHCCN031-100	SCREW, HEX, GR 5, 5/16-18 X 1.0, ZN	23
CWWBCN031-007	WASHER, FLAT, TYPE A, SAE, 5/16 ID	24
CW33870-104	ASSEMBLY, 5" WEIGHT STACK PIN & LEA	25
CW34014-101	UPPER GUIDE ROD SUPPORT	26
CW34015-101	UPPER GUIDE ROD LOCK	27
CW34380-101	ASSY, STABILITY FOOT	28
CW35057-102	WLDMT, FRAME, SEATED CALF	29
CWGR4715-000	GRIP, RUBBER, 1-1/4" OD HANDLE, 15.	30
CW34067-101	PLASTIC RECESSED HANDLE	31
CW34758-102	LABEL, PINCH POINT WARNING, RENOV,	32
CW35047-101	BAR, HEX, 1.0, SPACER, SEATED CALF	33
CW34364-101	WLDMT, WATER BOTTLE HOLDER	34
CWRANN038-150	BOLT, SHOULDER, 3/8-16 X 1/2 X 1 1/	35
CWKACN038-027	LOCKNUT, HALF, 3/8-16, ZN	36
CWAC1010-101	PULLEY, 6 DIA X 1/2 ID	37
CWHCCN038-275	SCREW, HEX, CLR. ZINC, 3/8-16 X 2 3	38
CW33773-101	WLDMT, WS BASE PULLEY	39
CWPLCN025-075	SLOTTED, HEX, WASHER, HEAD, 1/4-20	40
CWCPMN038-100	SCREW, SCKT LW HD, MCH CLR ZI, 3/8-1	41
CW12651-101	WAVE SPRING, .85 OD X .66 ID X .17	42
CW34787-101	WATER BOTTLE HOLDER, WEIGHT STACK	43
CWCPMN038-100	SCREW, SCKT LW HD, MCH CLR ZI, 3/8-1	44
CWHCCN038-100	SCREW, HEX, CLR ZINC, 3/8-16 X 1.00	45
CW33633-101	BAR, 1.50 DIA, WEIGHT STACK RISER	46
CW33894-101	WASHER, BUMPER BACKING	47
CW12402-101	BUMPER, ID 1.050, BLK RUBBER	48

CW33967-102	PLATE, .19 THICK, DRP DW WT MNT	49
CWWALCN031-008	WASHER, SPLIT, 5/16 ID, ZN	50
CW33966-102	ASSEMBLY, CAST DROP DOWN,BOTTOM	51
CWPHTN019-075	SCREW, S/T,#10 X 3/4, WASHER HEX HE	52
CW34292-101	ASSEMBLY, WEIGHT PLATE, RECTANGULAR	53
CW11095-109	CAP, PLASTIC, HEYCO, DOME PLUG, 1.0	54
CW34690-101	BUMPER, RUBBER, SCREW-ON, 3/8-16.	55
CW34366-101	END CAP ASSY, SEAT BACK, DOUBLE D T	56
CWWBCN050-019	WASHER, FLAT, TYPE A, 1/2 ID X 1 OD	57
CW34012-103	PULLEY COVER, 6 INCH, SILVER GRAY	58.01
CW34012-104	PULLEY COVER, 6 INCH, AMAZON STONE	58.02
CW33991-102	WEIGHT TOWER BOLT ON, SHORT	59
CWWALCN050-013	WASHER, SPLIT, 1/2 ID, CLR ZINC	60
CW35075-101	BAR, .375 DIA.,HARD STOP PIN,SEATED	61
CWAECN037-004	E-RING, EXTERNAL, .375 DIA., .004 T	62
CWWBCN050-010	WASHER, FLAT, TYPE A, NARROW, 1/2 I	63
CWCPMN050-200	SCREW, SOCKET LOW HEAD, MECH CLR ZI	64
CWKACN050-031	LOCKNUT,HALF, 1/2-13, ZN	65
CWRANN038-063	BOLT, SHOULDER, 3/8-16 X 1/2 X 5/8	66
CWPMTN016-125	SCREW, SELF TAPPING,#8 X 1 1/4 PHIL	67
CWCPMN050-100	SCREW, SCKT LW HD, MCH CLR ZI,1/2-1	68
CWAECN050-004	E-RING,.50 DIA X .04 THICK, CLEAR Z	69
CWHCCN031-175	SCREW, HEX, GR 5, 5/16-18 X 1 3/4 C	70
CWPMTN016-063	SCREW, SELF TAPPING,#8 X 5/8 PHIL,	71
CWWATCN038-032	WASHER, LK, INT. TOOTH, .375	72
CWPD4003-101	SEAT PAD, RENOVO, BLACK	74.01
CWPD4003-114	SEAT PAD, RENOVO, CUSTOM	74.02
CWPD4003-118	SEAT PAD, RENOVO,IMP BLUE	74.03
CWPD4003-122	SEAT PAD, RENOVO, PAPRIKA	74.04
CWPD4003-131	SEAT PAD, RENOVO, MAHOGANY	74.05
CW34788-101	LABEL PLACARD, WATER BOTTLE, WEIGHT	75
CWPD4033-101	BACK PAD, RENOVO, BLACK	76.01
CWPD4033-114	BACK PAD, RENOVO, CUSTOM	76.02
CWPD4033-118	BACK PAD, RENOVO,IMP BLUE	76.03
CWPD4033-122	BACK PAD, RENOVO, PAPRIKA	76.04
CWPD4033-131	BACK PAD, RENOVO, MAHOGANY	76.05
CW34072-101	ASSY, BACK TOP SHROUD, SHORT, PACIF	77.01
CW34072-102	ASSY, BACK TOP SHROUD, SHORT, DARK	77.02
CW34375-101	ASSY,COVER, BACK, LOWER, SHORT, PAC	78.01
CW34375-102	ASSY,COVER, BACK, LOWER, SHORT, DAR	78.02
CW33947-103	COVER, TOP	79.01
CW33947-104	COVER, TOP, AMAZON STONE	79.02
CWCLMP228-750	ASSY, CABLE, SEATED CALF, RENOVO	80
CW34005-103	ASSY, WINDOW BASE SHROUD, SHORT, SI	81.01
CW34005-104	ASSY, WINDOW BASE SHROUD, SHORT, AM	81.02
CW34343-101	CORNER COVER ASSY, LEFT, SILVER GRA	82.01
CW34343-103	CORNER COVER ASSY, LEFT, AMAZON STO	82.02
CW34343-102	CORNER COVER ASSY, RIGHT, SILVER GR	83.01
CW34343-104	CORNER COVER ASSY, RIGHT, AMAZON ST	83.02
CW33945-101	COVER, CENTER	84.01
CW33945-102	COVER, CENTER, AMAZON STONE	84.02

CW34013-101	PLUG, PULLEY, SILVER GRAY	85.01
CW34013-102	PLUG, PULLEY, AMAZON STONE	85.02
CWTATN025-075	SCREW, BUTTON HEAD, SHARPERIZED BLK	87
CWWBCN038-007	WASHER, FLAT, TYPE A, 3/8 ID X 13/1	91
CWWALCN038-009	WASHER, SPLIT, 3/8 ID, CLR ZINC	92
CW34060-101	END CAP, HANDLE, AL, 1.25" OD	95
CW12112-101	RIVNUT,INSERT,HEX,1/4-20	96
CWMACMN025-100	SCREW, FLT HEAD, SOCKET, MECH CLR Z	97
CW11095-107	CAP, PLASTIC, HEYCO, DOME PLUG, 0.3	109
CWMGCN016-050	SCREW, MCH, 8-32 X 1/2, PANHD, PHIL	111
CW34373-101	LABEL,CABLE BOLT WARNING STRENGTH,	115
CW34073-102	PRECOR BADGE, BACK	116
CW34074-101	REAR COVER SNAP	117
CW34295-101	ASSEMBLY, TOP PLATE, 170 LBS RECTAN	118
CW50267-101	KIT, WEIGHT STACK LABELS, 170 LB	119
CW34341-101	BOTTOM, EDGE COVER, RAIL, LEFT, SIL	130.01
CW34341-103	BOTTOM, EDGE COVER, RAIL, LEFT, AMA	130.02
CW34341-102	BOTTOM, EDGE COVER, RAIL, RIGHT, SI	131.01
CW34341-104	BOTTOM, EDGE COVER, RAIL, RIGHT, AM	131.02
CW35978-101	DBL PULLY BRKT,FORMED PLATE,10GA(.1	160
CWAC1009-101	PULLEY, 4 1/2 DIA X 1/2 ID	161
CWHCCN050-200	SCREW, HEX HEAD,ZN, 1/2-13 X 2.0	162
CWKACN050-031	LOCKNUT,HALF, 1/2-13, ZN	163
CWWBCN050-010	WASHER, FLAT, TYPE A, NARROW, 1/2 I	164
CW50271-101	KIT, DROP DOWN WEIGHTS.	250
CW50288-101	KIT, POP PIN, DROP DOWN WEIGHT	256
CW35145-101	CUT PIECE CREPE, .06" THICK	257
CW35970-141	LIT KIT, EXPERIENCE C, CALF EXTENSI	999